**NX30-XL**

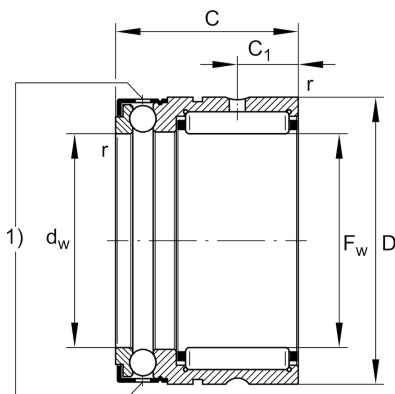
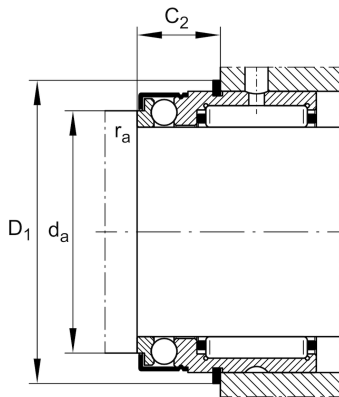
Needle roller/axial ball bearing

Schaeffler ID:
0507786170000Needle roller/axial ball bearings NX,
single direction axial component, for oil
lubrication

X-life

Technical information

2)

**Main Dimensions & Performance Data**

F_w	30 mm	Bore diameter
D	42 mm	Outside diameter
C	30 mm	Height
C_r	25,500 N	Basic dynamic load rating, radial
C_{0r}	36,000 N	Basic static load rating, radial
C_a	11,700 N	Basic dynamic load rating, axial
C_{0a}	28,000 N	Basic static load rating, axial
C_{ur}	6,400 N	Fatigue load limit, radial
C_{ua}	1,270 N	Fatigue load limit, axial
n_G	4,300 1/min	Limiting speed
	120.39 g	Weight

Dimensions

	IR25X30X20-XL	Suitable inner rings IR
	WR42, SW42	Snap ring
C_1	10 mm	Distance to lubrication hole
C_2	10 mm	Distance to lubrication hole
d_w	30 mm	Bore diameter of shaft washer
r_{min}	0.3 mm	Minimum chamfer dimension

Mounting dimensions

d_a	36.5 mm	Mounting dimension shaft shoulder
$r_{a max}$	0.3 mm	Maximum recess radius
D_1	45.1 mm	Connection diameter snap ring
C_2	14.2 mm	Connection width with snap ring

Temperature range

T_{min}	-30 °C	Operating temperature min.
T_{max}	120 °C	Operating temperature max.